

# SCREEN

## PlateRite 8600MII-S/E Thermal Plate Recorder

The PlateRite 8600MII is a high-quality, entry-level CtP recorder that will provide the foundation for a fully digital platemaking workflow.

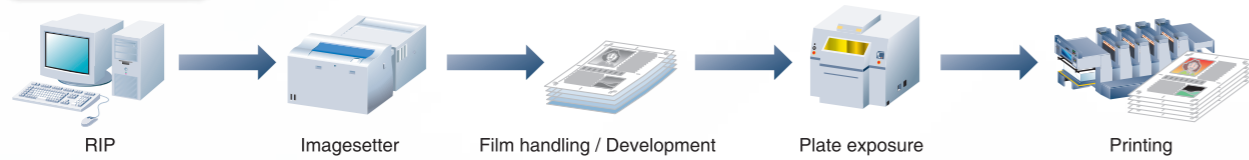


Faster turnaround plus improved quality and lower costs

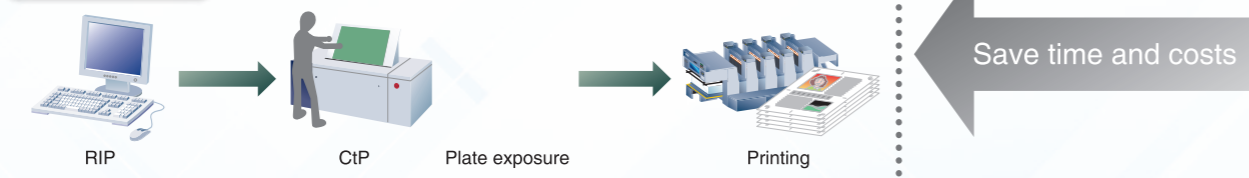
### CtP benefits

1. Improved registration and press productivity
2. Reduced turnaround times from the shortened production process
3. Cost reduction through the elimination of film processing
4. Sharper, more accurate dots
5. More consistent quality and reduced labor costs

### Conventional

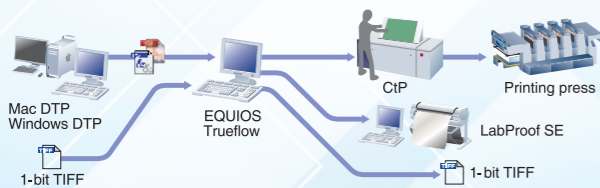


### CtP



### Full-digital workflow

EQUIOS (Workflow system)



An EQUIOS workflow system helps to achieve maximum productivity. Linking with EQUIOS enables non-stop automation while minimizing errors and production losses. Output to a CtP recorder is also easier than ever before.

### Based on international standards

The PlateRite 8600MII conforms to all relevant international standards. It is produced at an ISO-certified factory and its design meets specified safety standards. It is also assembled using primary electrical parts that meet all UL, CSA and CCC requirements.

The PlateRite 8600MII conforms to the following standards.

- IEC60204-1 Mechanical safety
- IEC60825-1 Safety of a laser product
- UL/CSA/CCC marking
- ISO9001 (2005/12)
- ISO14001 (2007/11)

CTP

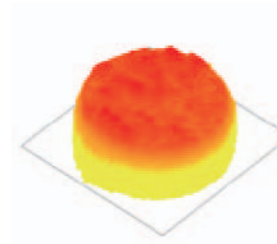
### Screen's technologies

#### Optical system technology

Stable exposure beam

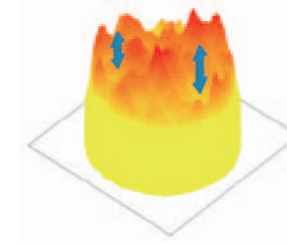
With the PlateRite 8600MII, the exposure head and its built-in laser move as a single unit. This prevents any profile fluctuation caused by changes in the shape of the optical fiber and produces a stable beam.

PlateRite 8600MII



The laser is included in the exposure head to produce a stable beam.

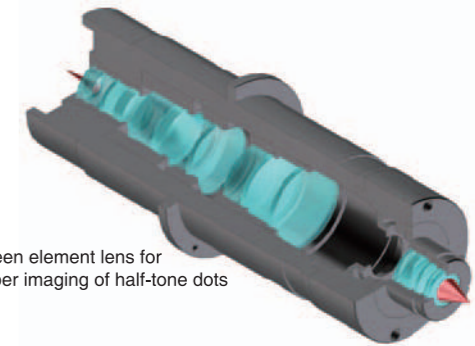
Products from other companies



Unevenness occurs in the power distribution of the beam, creating instability.

Fine imaging lens

The PlateRite 8600MII capitalizes on Screen's advanced optical technology. It features high refractive index glass and an impressive 13 element lens design for sharper imaging of half-tone dots. Proprietary technology also compensates for shifts in the focal position caused by environmental temperature variations.

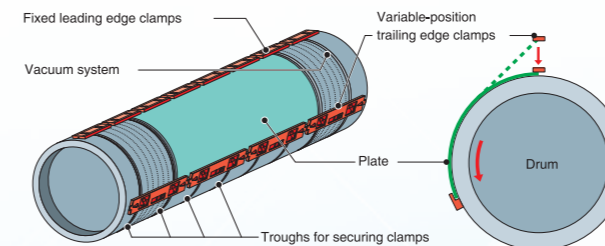


Thirteen element lens for sharper imaging of half-tone dots

#### Drum technology

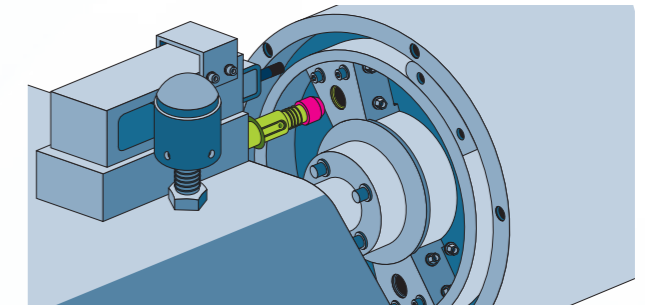
Reliable plate securing system

The PlateRite 8600MII recorder features an automated clamping and vacuum system. This system can consistently and firmly secure a wide range of plate sizes, even during fast-rotation/high-speed exposure. A plate is fixed to the drum by a unique slot equipped with a clamp and a vacuum attachment system.



Auto-balance system

The PlateRite 8600MII features Screen's unique and precise auto-balance system. It ensures the counter weights automatically adjust with every change of plate size, maintaining smooth and silent drum rotation. This system is easy to set up via the display menu without any technical intervention.



Creating a Future in Print

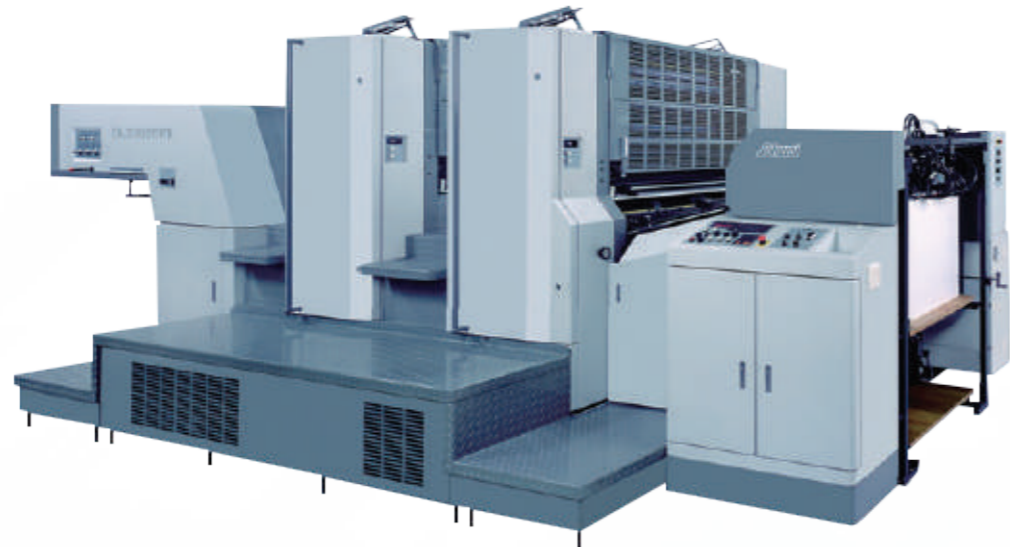




# OLIVER-2102EPII

**B1 SIZE CONVERTIBLE 2 COLOR PREFECTING MACHINE**

**ADVANCED TECHNOLOGY ENSURE HIGH PERFORMANCE WITH EASE OF OPERATION**



- Make ready time minimize functions are introduced for small lot job
- Sakurai's exclusive technologies ensure the high accurate registration
- Paper and polyester plate can be used for contribution to reduce the running cost.
- Affordable machine cost to be easy for depreciation

### Standard Equipment

- |                                       |   |
|---------------------------------------|---|
| ■ Platform Feeder                     | ■ Full Automatic Perfector Changeover               |
| ■ Single Action Feeder Table Setup    | ■ Pneumatic Controlled Drop Away Ink Fountain       |
| ■ Mechanical Double Sheet Detector    | ■ Sheet Decurler                                    |
| ■ Front and Side Guide Detector       | ■ POD Display                                       |
| ■ Early Sheet Detector                | ■ Platform Delivery                                 |
| ■ Ultra-sonic Double Sheet Detector   | ■ Plate Cylinder Cocking                            |
| ■ Segmented ink fountain blade        | ■ Electronic Positioning of Vacuum Slow-down Wheels |
| ■ Continuous Dampening System         | ■ Digital Touch Screen Running Register Control     |
| ■ Sakurai Plate Changing System (SPC) |   |

### Optional Equipment

- Non-Stop Feeder
- Remote Ink Key Console
- Automatic Ink Roller Washup
- Automatic Blanket Cleaners
- Pre-loading pile guide
- Automatic Impression Cylinder Cleaners
- Oscillating Ink Form Rollers
- Plate Puncher
- Tab Inserter, Markpet

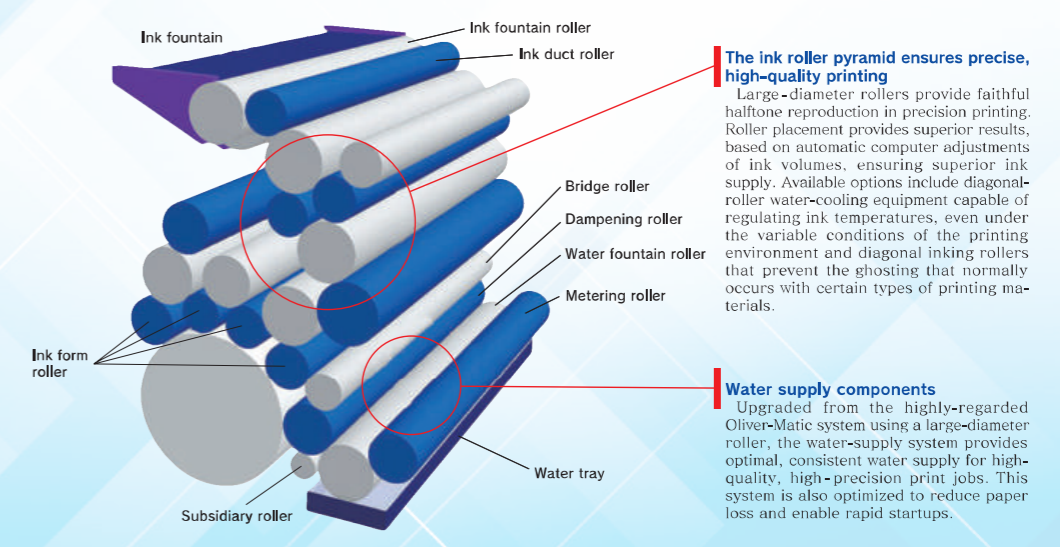
# OLIVER-66

SD/SDP Series

**SUPERB FUNCTIONALITY AND FASCINATING DESIGN IN REAL HEAVY DUTY CONSTRUCTION A2 SIZE OFFSET PRESS**



- Solid frame and bed structure give maximum printing speed 16,100IPH (in straight mode)
- Advantageous to ideal printing quality on larger cylinder, double diameter impression cylinder and 7 o'clock cylinder alignment
- Extensibility to the global printing quality control and network facility
- Variety of configurations of machine in 4, 5 and 6 printing units with/without perfector mode



# Sakurai

## MAESTRO SERIES

# MS110-DDS

High precision full-automatic cylinder screen press



The best to print for large size thinner film substrates with imposed images Max. sheet size 1,140mm×788mm

**Sakurai, leading manufacturer of cylinder type screen press, releases the Direct servo Drive Stop cylinder screen printing press.**

- Direct servo drive mechanism has applied for major drive part of the press including the printing cylinder drive. ▶ **No gears backlash is expected**
- Squeegee/flood coater pleasure and print stroke/clearance gap can be set from touch panel ▶ **numerical job control can be applied.**
- Special treated feed board surface and feeding support by blow up and down air system ▶ **Scratch less sheet feeding**
- Large size touch panel is fitted in the squeegee unit part ▶ **Easy access for operation**
- Sakurai original smart cover (with exhaust duct) can be offered as option ▶ **Safety operation and improving print room atmosphere**

# MAESTRO SD SERIES

Full Automatic high Precision Rotary Stop Cylinder Screen Presses

MS-80SD(800×550mm) | MS-102SD(1,100×750mm)



**Sakurai's top end screen printing press model, MAESTRO-SD Series**

1. Master frame with an independent drive system moves at a consistent speed.
2. Running speed of flood coater/squeegee can be set individually.
3. Printing stroke can be set variably.
4. Various screen frame sizes within the range specified can be used.
5. Squeegee impression can be controlled automatically thanks to the function of pulse motor.



MS-80LH Wicket Dryer

SST-80 Side Stacker

MS-80UV-N UV Dryer

# SCREEN

## PlateRite FX Series

Flexo/Letterpress CTP



Creating a Future in Print

The PlateRite FX series are high-quality, easy to use, reliable CTP recorders that offer optimal flexo/letterpress plate output for printing and prepress companies. They can image the black mask layer of resin plates directly, thereby eliminating the need for film and other intermediate processing. This results in more efficient operations, as well as more consistent output quality. What's more, the PlateRite FX series units' superior halftone dot reproduction ensures consistently high-quality printing even in the highlight and shadow areas.

The PlateRite FX1524/FX1200 is designed for a wide range of uses, including the production of labels, flexible packaging, cartons, and corrugated packaging.

The PlateRite FX870II/FX870IIE is the ideal flexo/letterpress CTP recorder for printing companies that already possess letterpress printing presses but want higher quality output, as well as for companies looking to improve the quality of the labels output from their intermittent letterpress printing presses, offset label printing presses, or flexo combination printing presses. The PlateRite FX870II-EL is also now available as an entry-level model for companies searching for a flexo/letterpress CTP recorder with low initial costs.

\* In their standard configuration, all PlateRite FX series models support a maximum output resolution of 4,800 dpi.

*High Quality*  
*Easy Operation*  
*Superior Workflow*  
*High-end Screening*



PlateRite FX1200  
PlateRite FX1524

### FLEXO CTP

#### Superior Workflow

Advanced, fully digital processing for higher efficiency

##### EQUIOS Rite

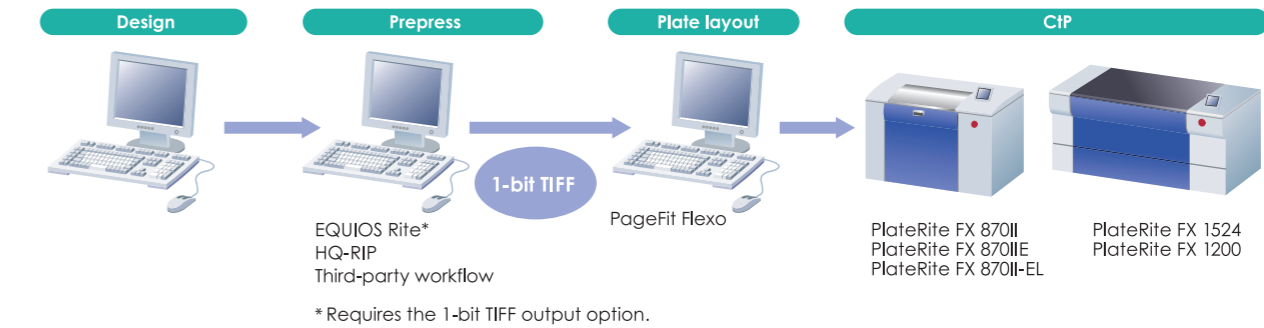
EQUIOS Rite is an entry-level workflow RIP that features Adobe System's latest RIP engine. It includes all the key functions required for top-quality flexo/letterpress CTP output.

##### PageFit Flexo

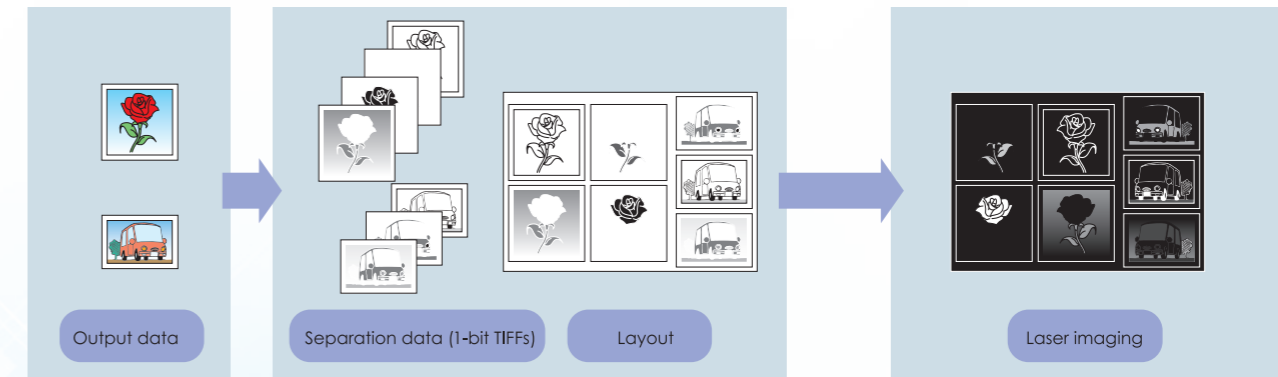
PageFit Flexo software provides the ability to receive and automatically impose RIP'ed 1-bit TIFF data to maximize plate usage.

NEW

Workflow



Output data is split into separations, and multiple jobs can be output on a single plate.



PlateRite FX870 II-EL

NEW



PlateRite FX870 II/FX870 IIE





### Evo3 Incremental Processor Full Automatic

The Evo 3 IP FA is the 90 x 120 cm (36 x 48 inch). incremental version of the Vianord FA (Full Automatic) series. The FA Processor is the latest module to complete the Easy to Plate system. On top of all the features of a standard Processor, the FA version includes a fully automatic plate entrance section designed to receive plates directly for the Evo LED module or from a connecting bridge (the configuration depends on the LASER brand/model). Once a plate enters the processor, all operations are performed without any human intervention: pin bars are automatically taken and put in position from the pin bar charger; the plate is first punched, then clamped on the pin bar and carried throughout the whole process.

<b>Dimensions LxWxH</b> 3830 x 1790 x 1060 (panel 340) mm 150.8 x 70.5 x 31.7 (panel 13.2) inches	<b>Weight</b> 1080 kg   2381 pounds
<b>Power supply</b> 400V 3PH/N/PE 50/60Hz 6.5kW 10A 230V 3PH/PE 50/60Hz 6.5kW 18A	<b>Maximum plate size</b> 92 x 120 cm   36 x 48 inches
<b>Plate thickness</b> Up to 7 mm / 0.276 inch	<b>Compressed air supply</b> min. 7 bar
<b>Solvent</b> min solvent volume for operation: 80 lts max solvent volume for operation: 110 lts max tank volume: 120 lts solvent in & out pipes: 2 x 16 mm Ø	<b>Exhaust</b> 1 x 140 mm Ø - 600 m3/h
<b>Packaging dimensions</b> 2680 x 2100 x 1830 mm   1.400 Kg	<b>Remote monitoring</b> Optional

**FUJIFILM**  
Value from Innovation

**FLENEX**

FLEXO WATER-WASH UNIT

## Leopard FS

Less impact on the environment ;

Not working with solvents is a huge benefit from a health and safety perspective

All In One system; exposure, washing, drying and de-tacking

Control touch panel; easy operation



FS 500



FS 2530



FS 3040

**FUJIFILM**  
Value from Innovation

**AcuityLED 1600 II**

## Acuity LED 1600 II UV inkjet printer

Large format hybrid printer driven by Fujifilm

- ▶ Excellent coverage with strong, vibrant colors
- ▶ Eight color ink set including CMYK plus light cyan, light magenta, white and clear
- ▶ Prints colors, white and clear together in one pass
- ▶ Low energy consuming, long life LEDs
- ▶ Fujifilm spot color matching software and RIP included
- ▶ Flatbed feed and receive tables



### High performance Fujifilm LED UV

LED UV has the capability to be a leading inkjet technology in the future. LEDs produce very little heat which means they can work with heat-sensitive media. They consume far less energy than conventional UV lamps and last up to ten times longer. Above all they are much kinder to the environment – a concern for printer operators and their customers alike.

The Fujifilm Acuity LED 1600 II is a large format hybrid printer designed to give exceptional print results in the most environmentally friendly way. Fujifilm's unique, purpose-designed ink, printheads and curing system work in perfect harmony to give smooth, near-photographic results at impressive print speeds.

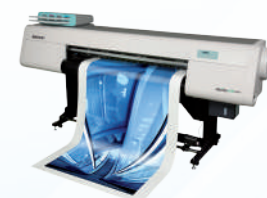


Acuity LED 1600 II  
Shown with standard flatbed tables

### Fujifilm Uvijet inks



Uvijet ink systems are renowned in the industry through Fujifilm's high-productivity wide format printers. Made using Fujifilm's Micro-V ultrafine dispersion technology, enabling higher pigmentation, they produce strong, vibrant images and a wide color gamut. The Acuity LED UV's dedicated eight-color UV LED ink set includes both white and clear. The Acuity LED 1600 II can apply colors, white and clear in a single pass, offering a host of creative possibilities.



Acuity LED 1600 II  
Shown in roll to roll mode

### LED UV is better for your business

- ▶ High definition, accurate print with a range of finishes
- ▶ Buyers want media that is easier to recycle
- ▶ Uses a fraction of the energy of conventional curing systems
- ▶ LEDs work instantly without a warm-up delay
- ▶ LEDs are suitable for both roll and rigid applications

### Acuity LED is better for the environment

- ▶ Prints recyclable polyolefin films
- ▶ Long life, low energy LED UV lamps
- ▶ No volatile organic compounds (VOCs) or ozone
- ▶ No toxic metal halide lamps
- ▶ Reusable ink cartridge cases